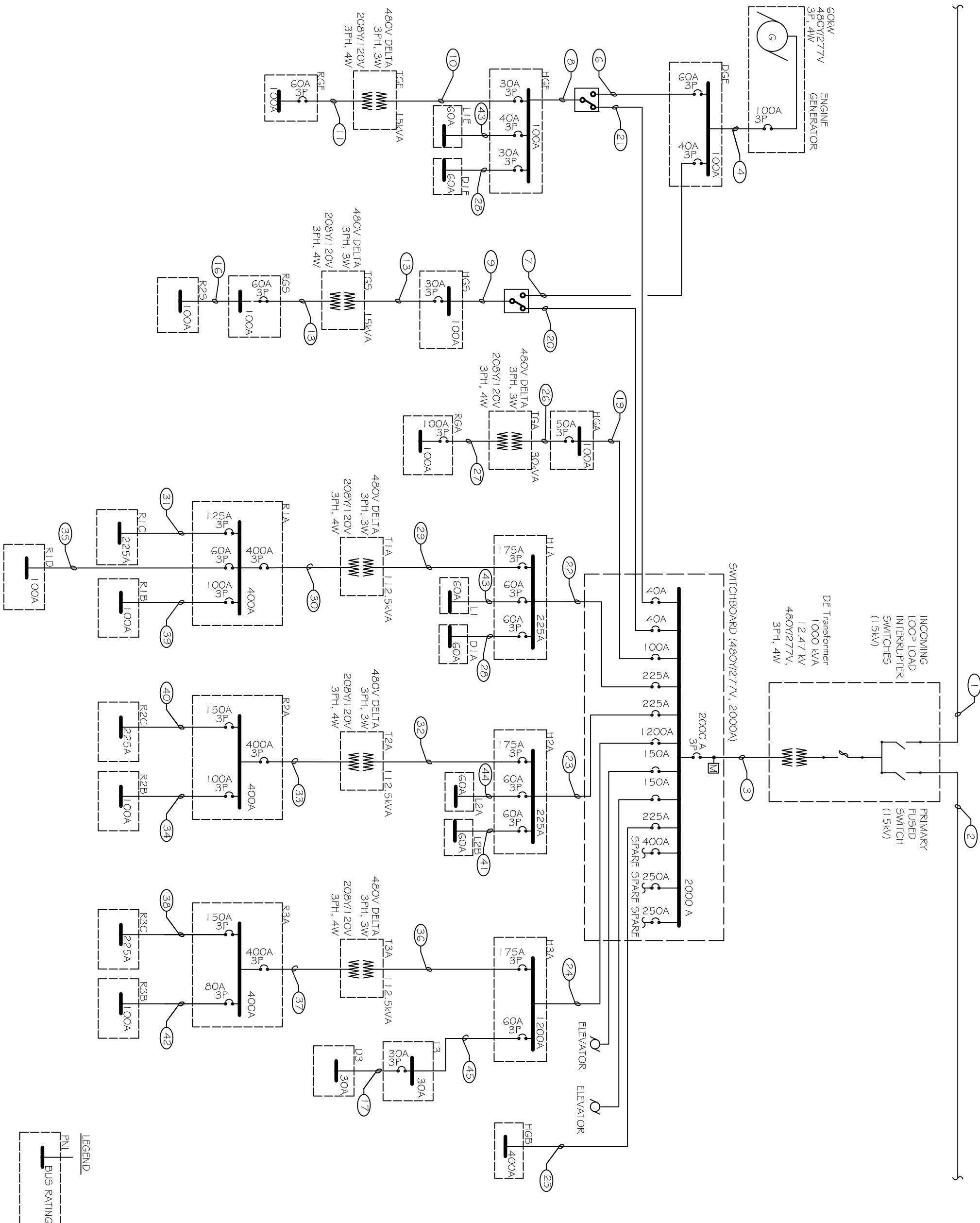


1
E400
POWER RISER DIAGRAM
NOT TO SCALE



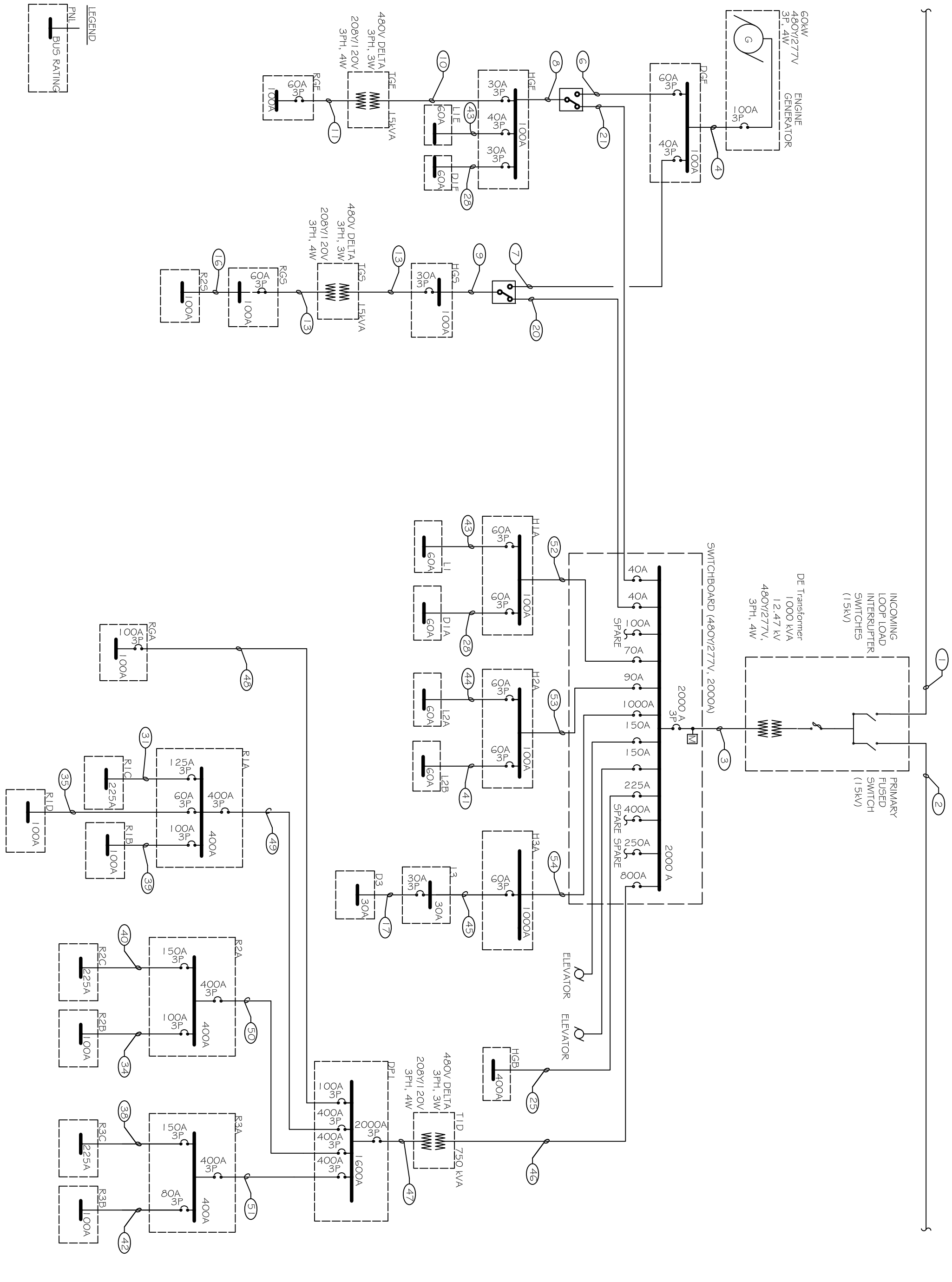


BY: NICHOLAS A. KUTCHI
 SPRING 2008
 CONSULTANT: TED DANNER, P.E.

DUKE UNIVERSITY MEDICAL SCHOOL: DUKE SCHOOL OF NURSING
 DURHAM, NORTH CAROLINA

AE 482
 DISTRIBUTION TRANSFORMER SYSTEM
 SINGLE LINE DRAWING

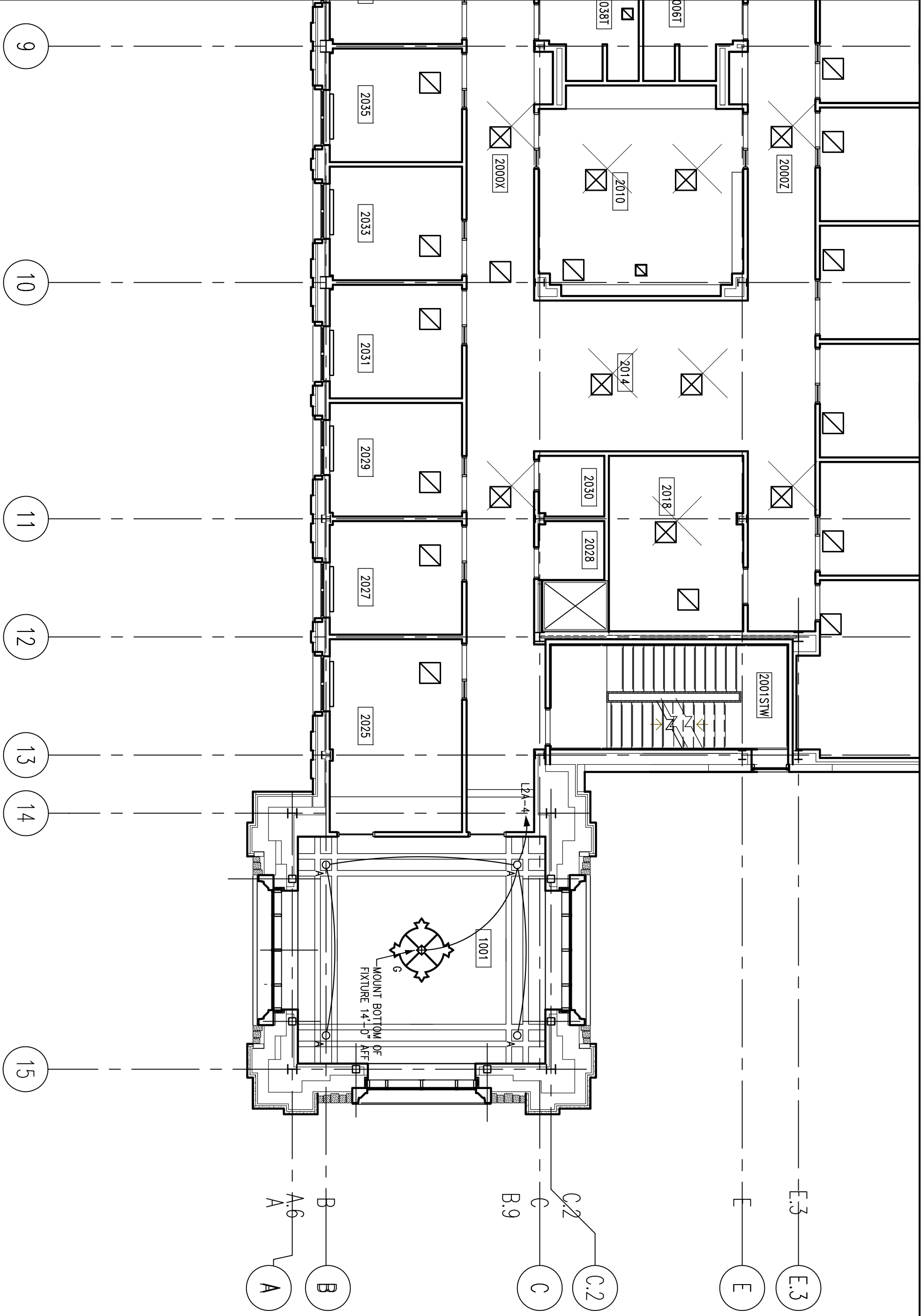




AE 482
 NEW CENTRAL TRANSFORMER SYSTEM
 SINGLE LINE DRAWING

DUKE UNIVERSITY MEDICAL SCHOOL: DUKE SCHOOL OF NURSING
 DURHAM, NORTH CAROLINA

BY: NICHOLAS A. KUTCHI
 SPRING 2008
 CONSULTANT: TED DANNERETH, P.E.

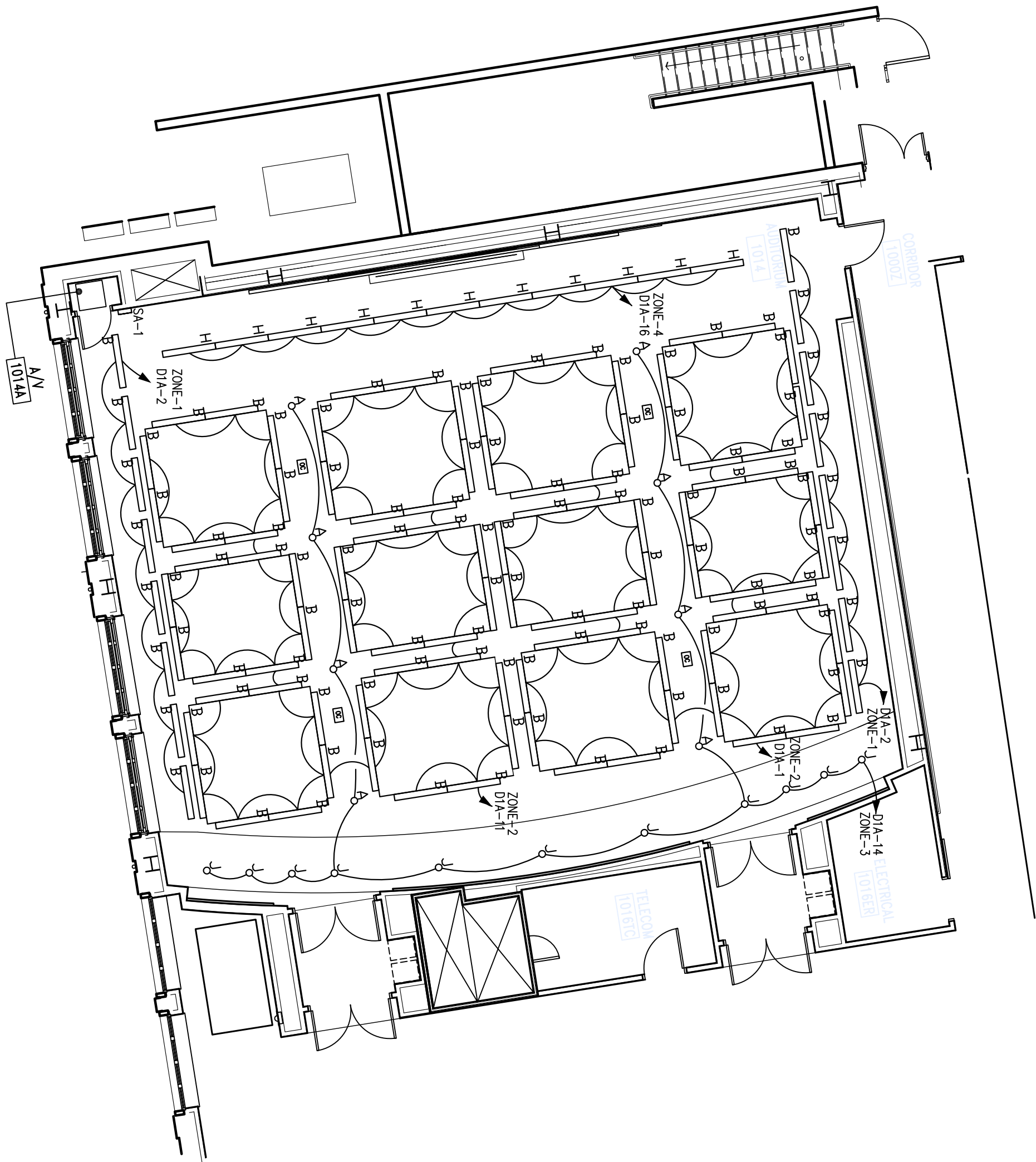


BY: NICHOLAS A. KUTCHI
 SPRING 2008
 CONSULTANT: TED DANNERTH, P.E.

DUKE UNIVERSITY MEDICAL SCHOOL: DUKE SCHOOL OF NURSING
 DURHAM, NORTH CAROLINA

AE 482
 LOBBY PLAN
 SCALE: 1/8" = 1'0"



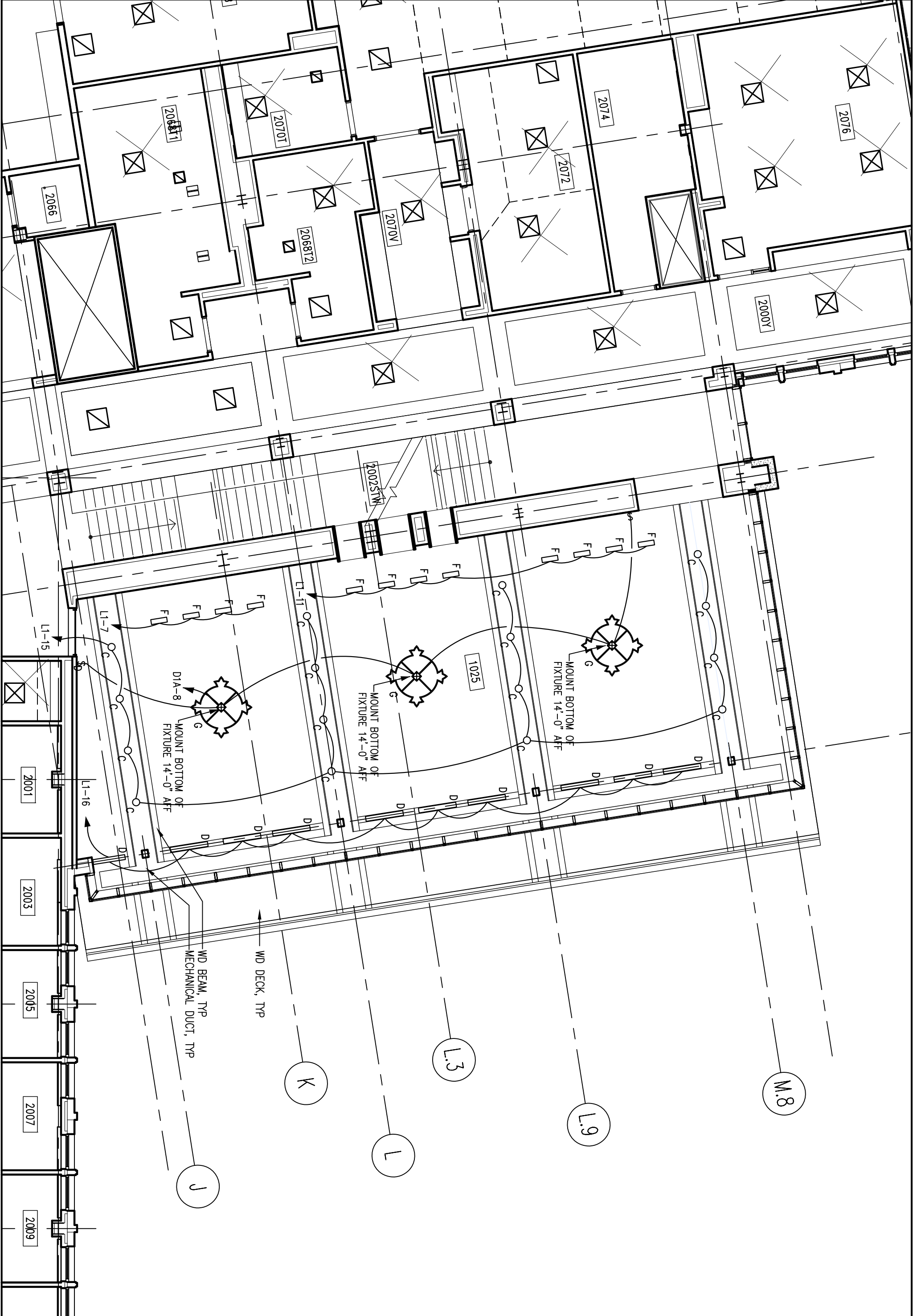


BY: NICHOLAS A. KUTCHI
 SPRING 2008
 CONSULTANT: TED DANNERETH, P.E.

DUKE UNIVERSITY MEDICAL SCHOOL: DUKE SCHOOL OF NURSING
 DURHAM, NORTH CAROLINA

AE 482
 AUDITORIUM PLAN
 SCALE: 1/8" = 1'0"

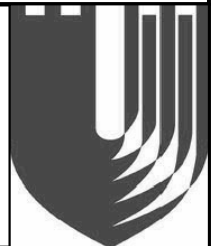


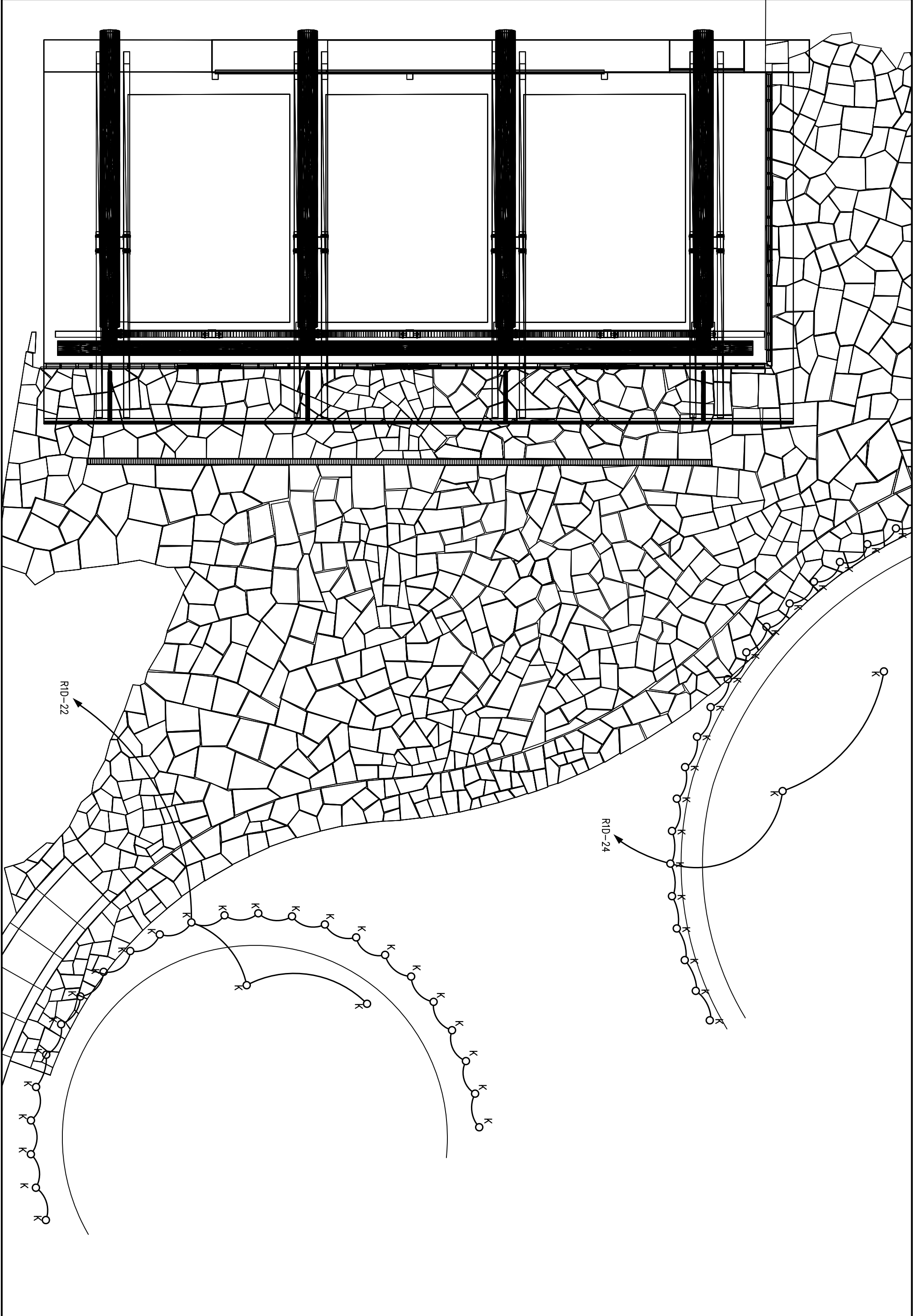


BY: NICHOLAS A. KUTCHI
 SPRING 2008
 CONSULTANT: TED DANNERETH, P.E.

DUKE UNIVERSITY MEDICAL SCHOOL: DUKE SCHOOL OF NURSING
 DURHAM, NORTH CAROLINA

AE 482
 CAFE PLAN
 SCALE: 1/8" = 1'0"





BY: NICHOLAS A. KUTCHI
 SPRING 2008
 CONSULTANT: TED DANNER, P.E.

DUKE UNIVERSITY MEDICAL SCHOOL: DUKE SCHOOL OF NURSING
 DURHAM, NORTH CAROLINA

AE 482
 COURTYARD PLAN
 SCALE: 1/8" = 1'0"

